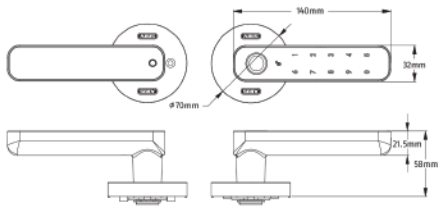


A6000



Escutcheon



85 x 60



2Pcs #W25L Key



IC Card



A93 35/35 #37L
-3pcs Key

Works with



A6000 Smart Lever Lock

- Door Thickness: 35 - 50mm
- Backset: 60 - 70mm
- Unlocking Method: Fingerprint, Key, APP, Password, IC Card
- Fingerprint Capacity: 100
- Password / Card: 100
- Battery Type: 4 x AAA Alkaline Batteries
- Working Humidity: 20%RH~90%RH
- Operation Temperature: -20°C - 70°C
- Material: Aluminium Alloy, Tempered Glass



Fingerprint Unlock



Auto-Locking Function



Password Unlock,
OTP (One-Time Password)



Low-Power Prompt



Mechanical Key Unlock



USB Type-C
Charging Port



IC Card Access



Doors hinges on left side



Mobile Apps Unlock



Doors hinges on right side



Easy installation



KA - Keyed Alike
MK - Master Key System



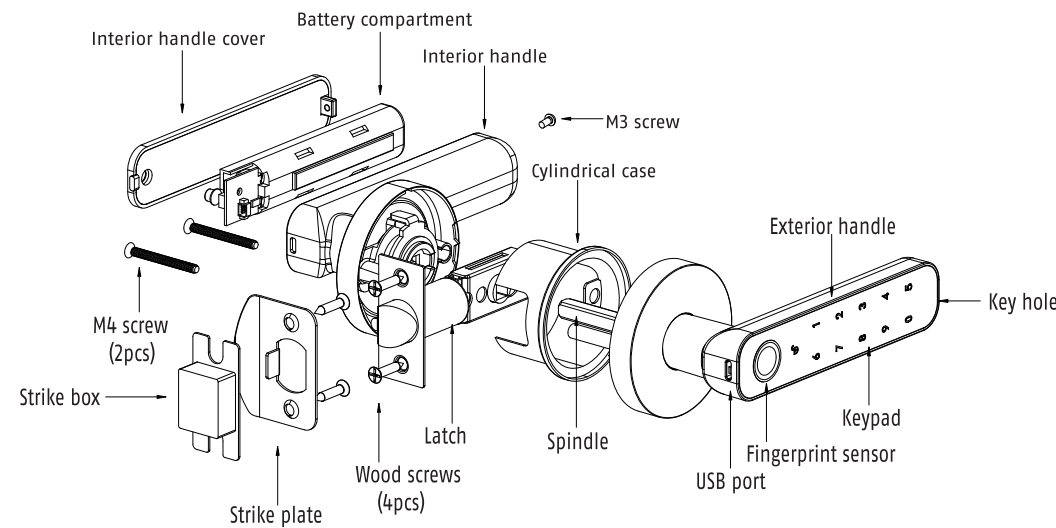
Security Tech Germany



Smart Door Lock User Manual

A6000

Product configuration



Performance Specifications

| | |
|------------------------|--------------------------|
| Door Thickness | 32-47mm |
| Backset | 60/70mm |
| Battery | 4*AAA alkaline batteries |
| Operation temperature | -25°C~70°C |
| Humidity Requirement | 20%~90% RH |
| Fingerprint Capacity | 100 |
| Password+Card Capacity | 100,6-8 digits |
| Operation Voltage | 4.6-6.4V |
| Low Voltage Warning | 4.8±0.2V |

Installation instructions

Function and operation

- User Storage Capacity**
 - Total storage capacity: 199 entries; up to 100 fingerprints and 99 password/card. Compatible with Bluetooth and standalone versions. No limit on the number of administrators.
 - Password must be 6–8 digits. Anti-peep protection allows entering random digits before/after the actual password (up to 20 digits in total).
 - Temporary passwords (11 digits) are issued via the mobile app.
 - Administrators can register passwords, fingerprints and cards. At least one administrator must be registered. User IDs are assigned in the order they are registered.
- Low Voltage Alert**
Triggers an alert when voltage drops below 4.8±0.2V; system locks for 120 seconds.
- Operation Timeout**
The lock automatically enters sleep mode after 10 seconds of inactivity.
- Factory Settings**
The lock can be unlocked with any password, fingerprint or card.
- Setting Button**
 - Press and hold for 5 seconds to reset to factory settings.
 - Short press for 1 second to enter System Settings menu / enable Bluetooth pairing.
- Virtual password**
The feature allowing additional numbers to be added before and after a numeric password is an effective way to enhance the security. For example, if your actual password is "123456", you can enter "42612345675", where any combination of digits before and after the password to unlock the lock.
Note: The system recognizes the first 20 digits you input.
- Initialization**
Press and hold for 5 seconds to restore factory settings. Press the key to confirm. In factory settings, any password, fingerprint or card can unlock the door.

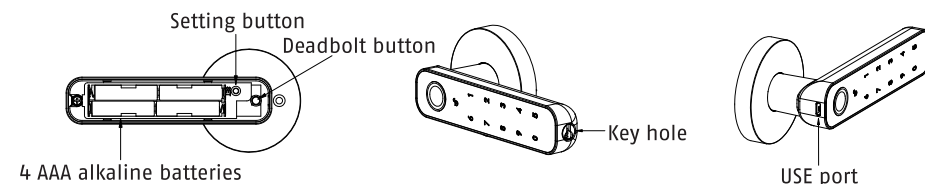
Function and operation

8. Deadbolt Function

Long press the Deadbolt Button for 3 seconds to activate the deadbolt function. Press the Deadbolt Button once to cancel deadbolt mode and return to normal operation.

9. Emergency Power Supply

In the event of a low battery situation, you can use an external USB emergency power supply to activate the the lock and unlock.



10. Local Device Functions

10.1 Enter System Settings

Press the settings button for 1 second to enter System Settings. In factory settings mode, enter 123456 to confirm. If an administrator has been added, admin verification is required.

After entering System Settings

(1) Press "1" – Add Administrator

Add Fingerprint: Press your finger repeatedly on the fingerprint sensor until successfully registered.

Add Password: Enter the same 6- to 8-digit password twice (e.g. 123123). Press the unlock key each time to confirm.

Add Card: Hold the card near the centre sensor area of the door lock. The card will be added successfully.

(2) Press "2" – Add Normal User

Add Fingerprint: Press your finger repeatedly on the fingerprint sensor until successfully registered.

Add Password: Enter the same 6 to 8-digit password twice (e.g. 123123). Press the unlock key each time to confirm.

Add Card: Hold the card near the centre of door lock's sensor area. The card will be added successfully.

(3) Press "3" – Delete All Normal Users

This will erase all user data and reset the door lock to factory settings.

App Network Pairing Instructions

1. Pairing Guide Enter pairing mode:

Enable Bluetooth on your phone and download the "Tuya Smart" app.



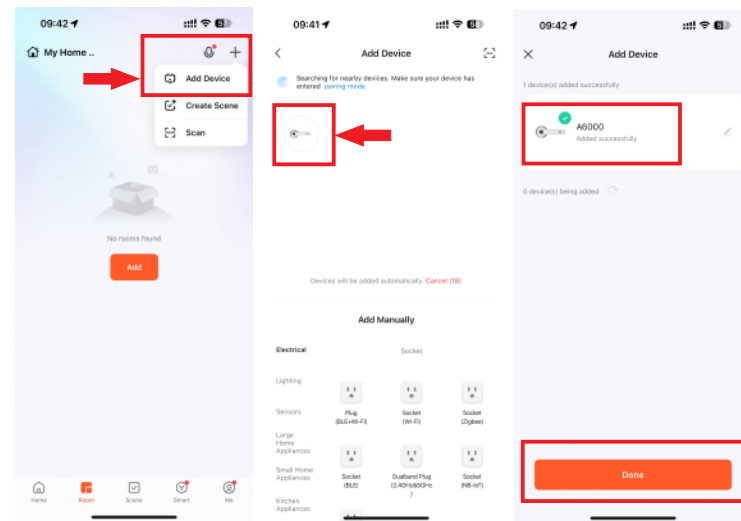
Steps:

1. Open the Tuya Smart app on your phone and tap Add Device.

2. Press the setting button on the back handle of the door lock until you hear a "beep" sound, then release the button.

-Add Automatically: Add Device → Auto Search → Detect the Device → Start Pairing → Added Successfully

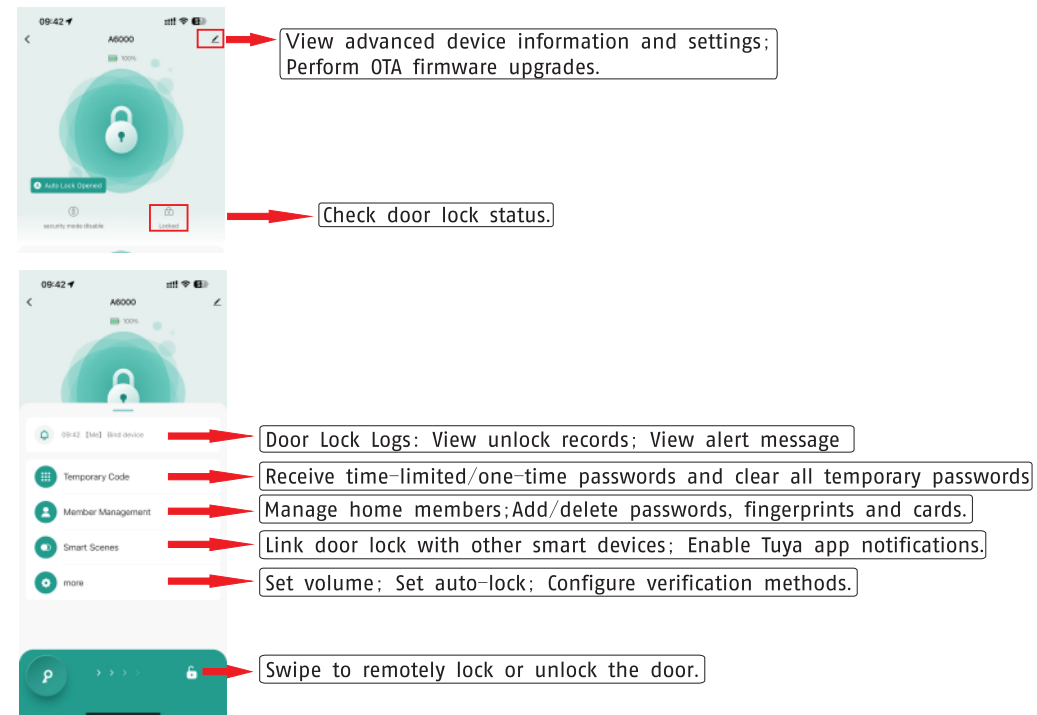
-Add Manually: Add Device → Camera & Lock → Smart Lock → Lock (Bluetooth) → Start Pairing → Added Successfully



Feature Operations

2. Main Functions:

Manage users, View unlock records, Check battery level, Check lock/unlock status, Receive alert notifications, View settings history, Receive temporary passwords, Set door lock volume, Set auto-lock, Configure unlock verification methods, Perform OTA firmware updates.



Security Tech Germany

WARRANTY CARD

Thank for choosing Smart Door Lock

| | | |
|------------------|---|--------------------------------|
| Customer Name | : | |
| Contact No. | : | |
| Date of purchase | : | |
| Product Model | : | |
| Serial No. | : | |
| Key Code | : | |
| Warranty Period | : | 2 years from the purchase date |

IMPORTANT

This warranty is valid only in the presence of this warranty card with the original invoice. Please keep it properly.