

A7000



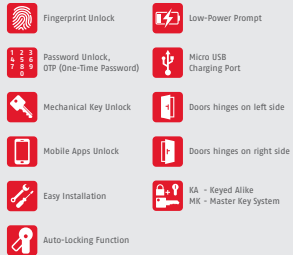
2Pcs #37 Key

Works with



A7000 Smart Deadbolt Lock

- Door Thickness: 35 - 50mm
- Unlocking Method: Fingerprint, Key, APP, Password
- Fingerprint Capacity: 100
- Password Capacity: 99 groups, 6 to 10 digits
- Battery Type: 4 x AA Alkaline Batteries
- Working Humidity: 20%RH-90%RH
- Operation Temperature: -20°C - 70°C
- Material: Aluminium Alloy





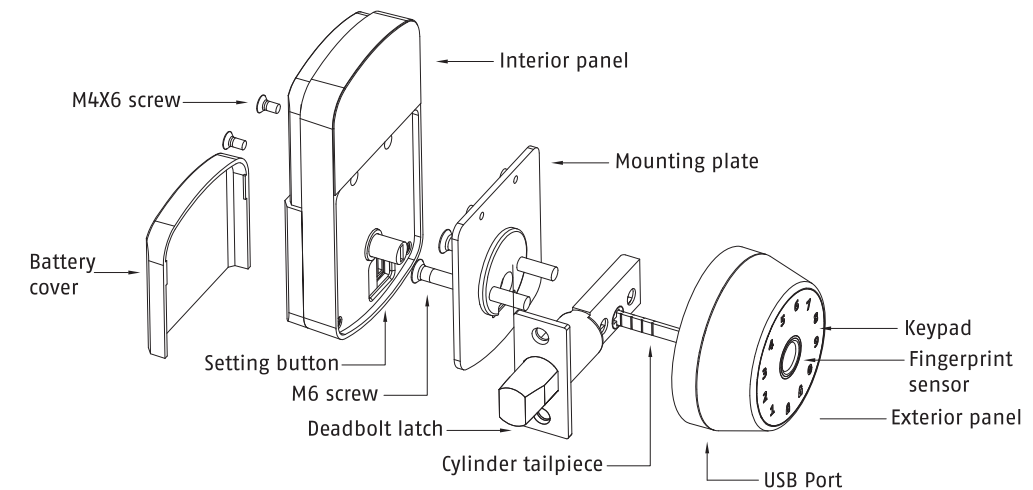
Security Tech Germany



Smart Door Lock User Manual

A7000

Product configuration



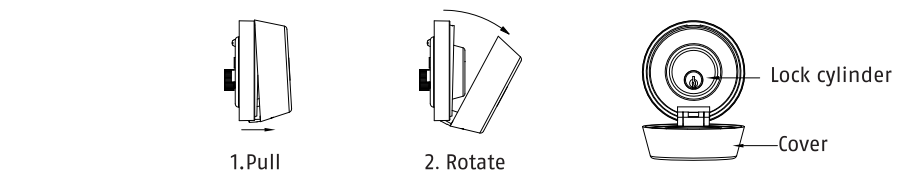
Performance Specifications

Door Thickness	32-50mm
Backset	60/70mm
Battery	4*AA alkaline batteries
Operation temperature	-25°C~70°C
Humidity Requirement	20%~90% RH
Fingerprint Capacity	100
Password	100,6-10 digits
Operation Voltage	6V
Low Voltage Warning	5±0.2V

Installation Precautions

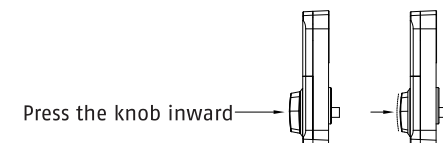
1. Before setting the administrator password, ensure that the left or right opening direction is correctly configured. Incorrect settings may cause the electronic lock to malfunction and fail to lock or unlock properly. The default factory setting is right opening. To switch to left opening, press 888. Refer to the diagram for left and right opening directions. Once the administrator password is set, the opening direction cannot be changed.

2. Steps to Unlock the Mechanical Lock: First, pull the front panel from the bottom. Then, rotate the bottom section to open it. Insert the key and turn to unlock.



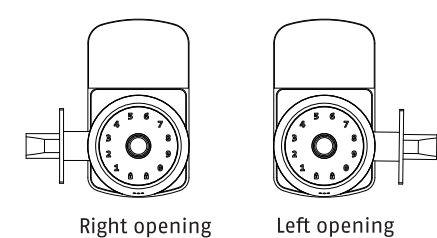
3. The electronic lock knob can be pushed inward, disengaging it from the motor. This allows the knob to rotate significantly, helping to resolve issues where the latch bolt does not fully extend or retract during initial installation. Once installation is complete, ensure the knob pops back into its original position.

Tip: If the internal electronic mechanism fails and the latch bolt does not fully extend or retract, this function can also be used to resolve the issue.

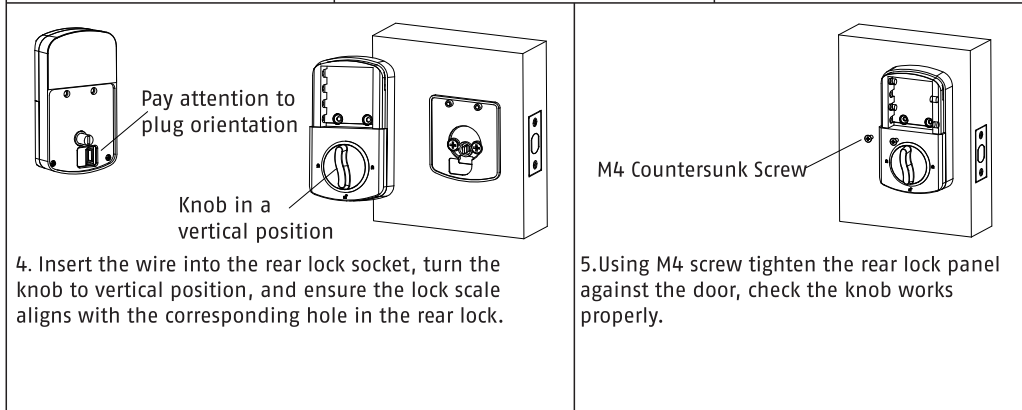
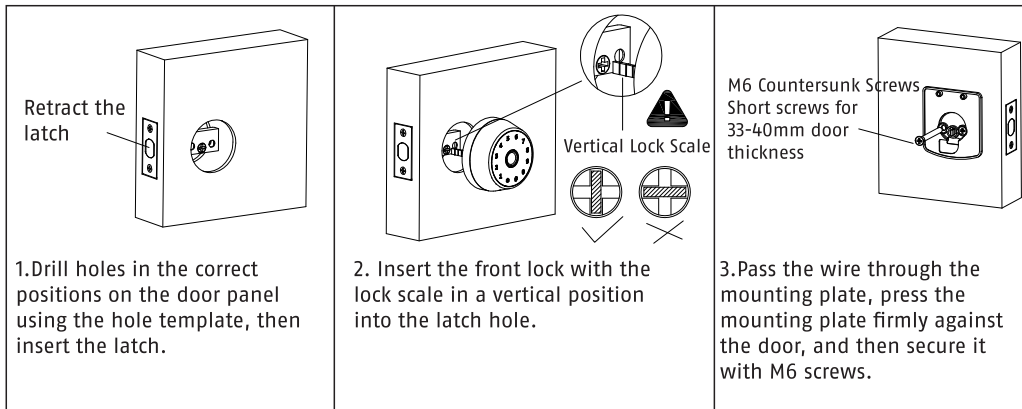


Cutting of cylinder tailpiece

Door thickness	Cutting section
50-47mm	0
47-42mm	1
42-37mm	2
37-32mm	3



Installation Steps



Feature configuration

Item	Specification	Alarm Type	Remarks
Locking Alarm	After 5 consecutive incorrect user inputs, a voice prompt "System Locked" for 120 seconds.	Alarms will trigger after 3 times input failures; System will locks after 5 times input failures.	During this lockout period, other authentication methods remain available.
Low Voltage Alarm	When voltage drops below 5.0±0.2V, a voice prompt "Low battery, please replace the battery."		
Operation Timeout Sleep	Adjusts dynamically; if the lock has no operation response for 10 seconds, it automatically switch to sleep mode.		
Factory Settings	Unlock using password 123456 or any fingerprint; entering the menu requires verification of the default system password 123456 to unlock.		
Locking	To lock press and hold the lock button for 1 second.		
Setting Button	1. Press and hold the setting button for 5 seconds to reset the system. 2. Press 1 second to enter the System Settings menu or activate Bluetooth configuration mode.		
Left/Right Opening Setting	By default, the door opens to the right. While in factory settings, press 888 to switch the door opening direction.		
Dummy Password	Anti-peeping feature allows entering random digits before and after the actual password, up to 20 digits.		
Emergency Power Supply	The Micro USB port can be connected to an external 5V emergency power source to temporarily power the lock for unlocking.		
Mobile Operation	Connect to the "Tuya Smart" app to manage the lock via mobile phone, view unlocking records, and enable Bluetooth networking.		

Feature configuration

Item	Specification	Alarm Type	Remarks
Combination Unlocking	When the unlocking mode is set to security mode, both fingerprint and password verification are required to unlock.		
Security Alarm	If the lock body encounters external force preventing normal operation, the lock will emit an alarm sound.		

Function Key Descriptions

- 1 + Unlock Button** (🔓): Sets the system language mode; default is English. This setting is only available in factory settings.
- 2 + Unlock Button** (🔓): Announces the system's front panel/rear panel firmware version.
- 3 + Unlock Button** (🔓): Sets the system volume; default is high. This setting is only available in factory settings.
- "Unlock" Button** (🔓):
 - Unlock Function: Confirms input or operations.
 - Repeat Function: After entering the menu, pressing this button repeats the voice navigation.
- "Lock" Button** (🔒):
 - Clear/Back Function: Clears passwords or exits sleep mode.
 - Lock Function: Press and hold to lock.
 - Menu Navigation: Returns to the previous menu level.

Operation process

In factory settings:

Press 🔓 then press 🔓 → Voice prompt: "Please enter administrator information".

Instruction:

1. In factory settings, enter 123456 🔓

2. In authorized mode, administrator info must be entered

→ After successful operation:

Press "1" to set administrator

Press "2" to set user

Press "3" to restore factory settings

Press "4" to set auto-lock

Operation process

1. Enter "Administrator Settings"

→ Press "1" to add an administrator and then enter unlocking information. Confirm the password with the unlock key."

(Tip: You may now enter a fingerprint or password. Password entry must be confirmed by pressing 🔓)

→ Press "2" to delete an administrator and then enter the ID number and confirm with the unlock key" (e.g., 002 🔓)

2. Enter "User Settings"

→ Press "1" to add a user and then enter unlocking information. Confirm the password with the unlock key."

(Tip: You may now enter a fingerprint or password. Password entry must be confirmed by pressing 🔓)

→ Press "2" to delete user

→ To delete by ID, press '1' then enter the ID number and confirm with the unlock key" (e.g., 005 🔓);

→ To delete all, press '2' and confirm with the unlock key to erase all user data.

3. Enter "Restore Factory Settings"

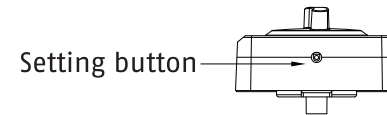
→ Press "3" to restore factory settings, then press 🔓 to confirm.

4. Enter "Auto-Lock Settings"

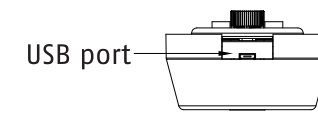
→ Press "4" to access auto-lock settings. Press "4" again to switch between auto and manual lock modes.

① When enabled, the lock will lock automatically.

② When disabled, the lock will not lock automatically.



Setting button



USB port

APP Setup Instructions

1. Network Setup (First download and install the Tuya app)

Scan the QR code below or search for "Tuya Smart" in your phone's app store to download.

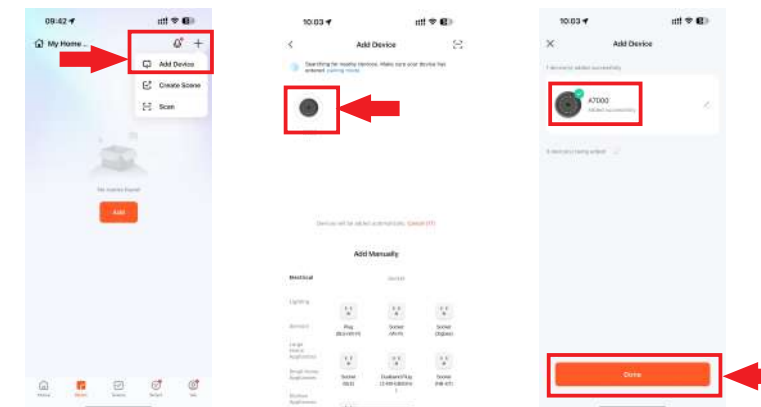


2. Bluetooth Networking Configuration

- Enable Bluetooth and location on your phone, then open the "Tuya Smart" app.
- How to configurate:

a. First, press the setting button twice; the sensor's red and green lights will turn on.

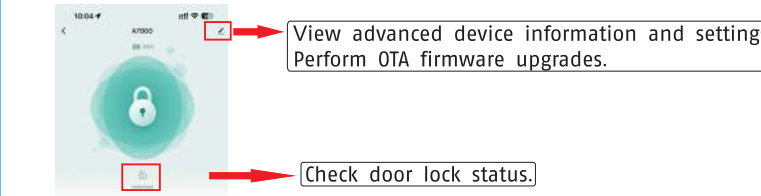
b. Follow the instructions shown in the diagram below.



APP Setup Instructions

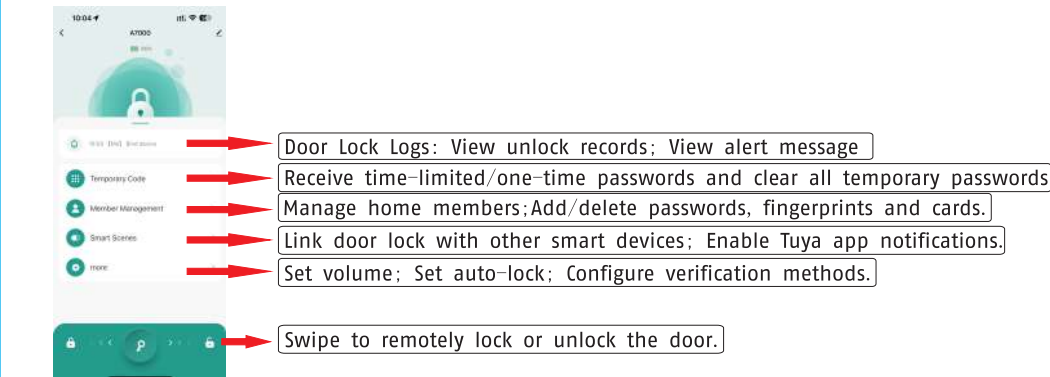
3. Main Functions:

Manage users, View unlock records, Check battery level, Check lock/unlock status, Receive alert notifications, View settings history, Receive temporary passwords, Set door lock volume, Set auto-lock, Configure unlock verification methods, Perform OTA firmware updates.



View advanced device information and settings; Perform OTA firmware upgrades.

Check door lock status.



Door Lock Logs: View unlock records; View alert message

Receive time-limited/one-time passwords and clear all temporary passwords

Manage home members; Add/delete passwords, fingerprints and cards.

Link door lock with other smart devices; Enable Tuya app notifications.

Set volume; Set auto-lock; Configure verification methods.

Swipe to remotely lock or unlock the door.



Security Tech Germany

WARRANTY CARD

Thank for choosing Smart Door Lock

Customer Name	:	
Contact No.	:	
Date of purchase	:	
Product Model	:	
Serial No.	:	
Key Code	:	
Warranty Period	:	2 years from the purchase date

IMPORTANT

This warranty is valid only in the presence of this warranty card with the original invoice. Please keep it properly.